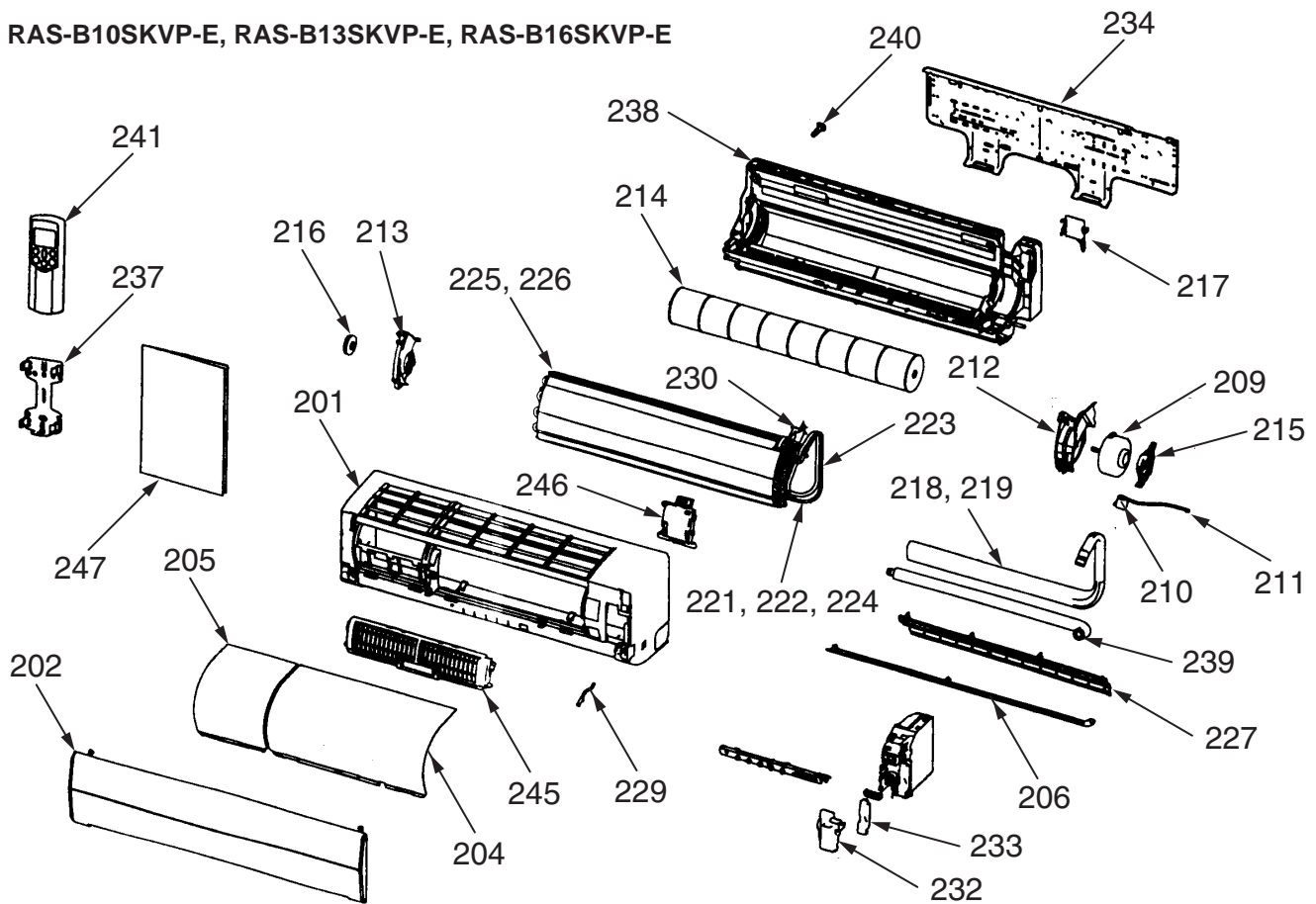


13. EXPLODED VIEWS AND PARTS LIST

13-1. Indoor Unit

RAS-B10SKVP-E, RAS-B13SKVP-E, RAS-B16SKVP-E

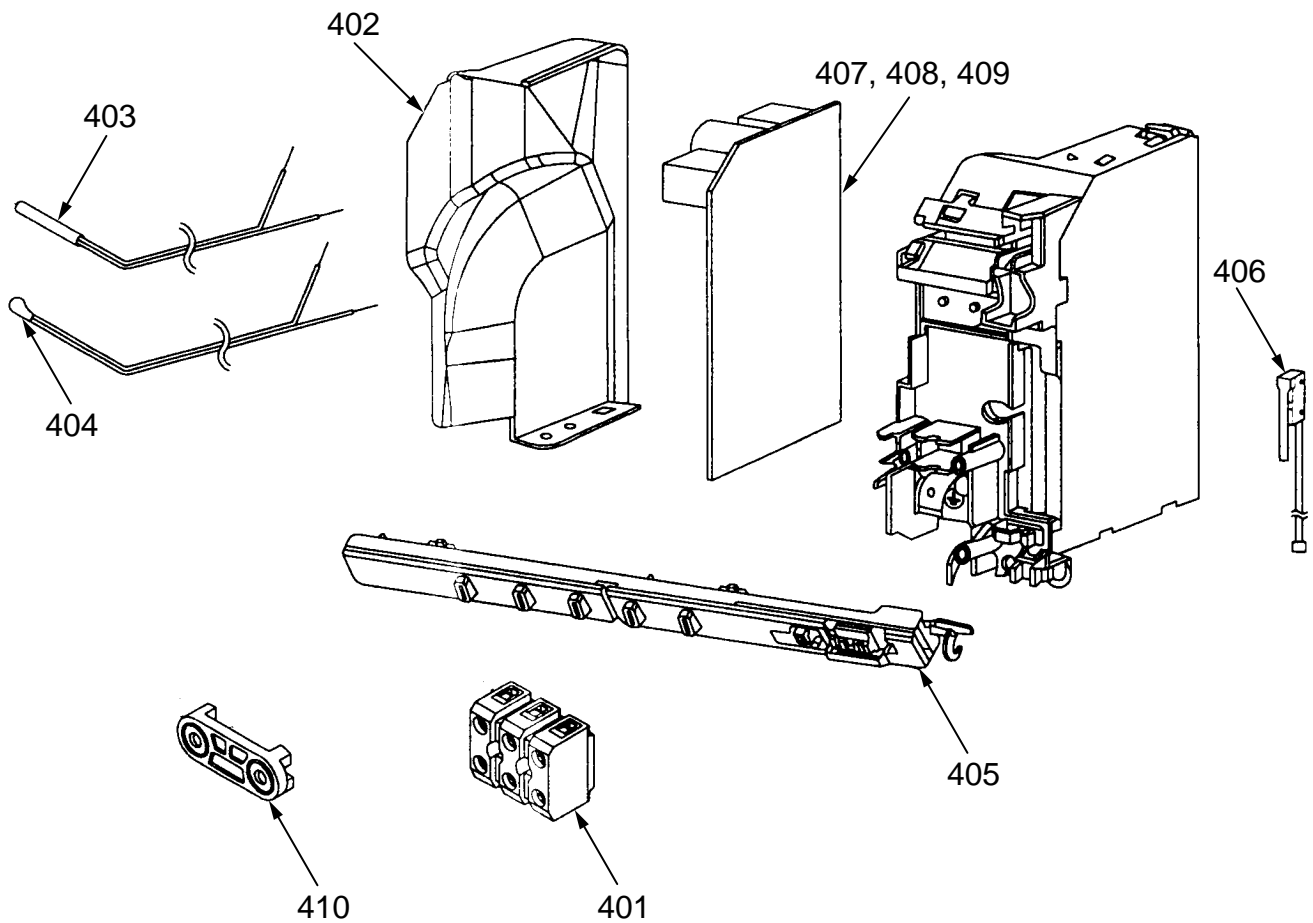


* The parts in the following parts list are conformed to RoHS.
Therefore be sure to use the following parts for repairing and replacing.

Location No.	Part No.	Description
201	43005709	Panel Ass'y, Front
202	43009694	Grille, Air Inlet
204	43080512	Filter, Air, Right
205	43080521	Filter, Air, Left
206	43009693	Louver, Horizontal
209	4302C067	Motor, Fan, DC
210	4302D003	Motor, Louver
211	4306A024	Cord, Motor, Louver
212	43039363	Band, Motor, Left
213	43039321	Base, Bearing
214	43020346	Fan, Cross Flow
215	43039314	Band, Motor
216	43020253	Bearing
217	4301V028	Holder, Pipe
218	43049701	Pipe, Shield (B16SKVP-E)
219	43049698	Pipe, Shield (B10SKVP-E, B13SKVP-E)
221	43047671	Pipe Ass'y, Connecting, Gas (B10SKVP-E, B13SKVP-E)
222	43047672	Pipe Ass'y, Connecting, Gas (B16SKVP-E)

Location No.	Part No.	Description
223	43049674	Spring (B16SKVP-E)
224	43047673	Pipe Ass'y, Connecting, Liquid
225	43044821	Evaporator Ass'y (B10SKVP-E, B13SKVP-E)
226	43044822	Evaporator Ass'y (B16SKVP-E)
227	43039324	Guide, Drain
229	43019904	Holder, Sensor
230	43049770	Holder, Evaporator, Right
232	43062256	Cover, Terminal
233	43062247	Cover, Lead
234	43082293	Plate, Installation
237	43083071	Holder, Remote Controller
238	43003311	Body Ass'y, Back
239	43070188	Hose, Drain
240	43079268	Cap, Drain
241	43066014	Remote Controller, WH-H04JE
245	43080528	Plasma Pure Filter
246	43080563	Generator Ass'y, HV
247	4308N971	Owner's Manual

Toshiba Air Conditioning Spares available from Heronhill Air Conditioning Ltd



* The parts in the following parts list are conformed to RoHS.
Therefore be sure to use the following parts for repairing and replacing.

Location No.	Part No.	Description
401	4306A132	Terminal Block, 3P
402	43062263	Cover, E-Parts
403	43050425	Sensor, TC (Ø6), TCJ (Ø6)
404	43050426	Sensor, TA
405	4306S936	P.C. Board Ass'y, WRS-LED
406	43051350	Switch Ass'y, Micro

Location No.	Part No.	Description
407	4306S937	P.C. Board Ass'y (B10SKVP-E)
408	4306S938	P.C. Board Ass'y (B13SKVP-E)
409	4306S939	P.C. Board Ass'y (B16SKVP-E)
410	43067115	Clamp, Cord