

Optional function parts



39



29



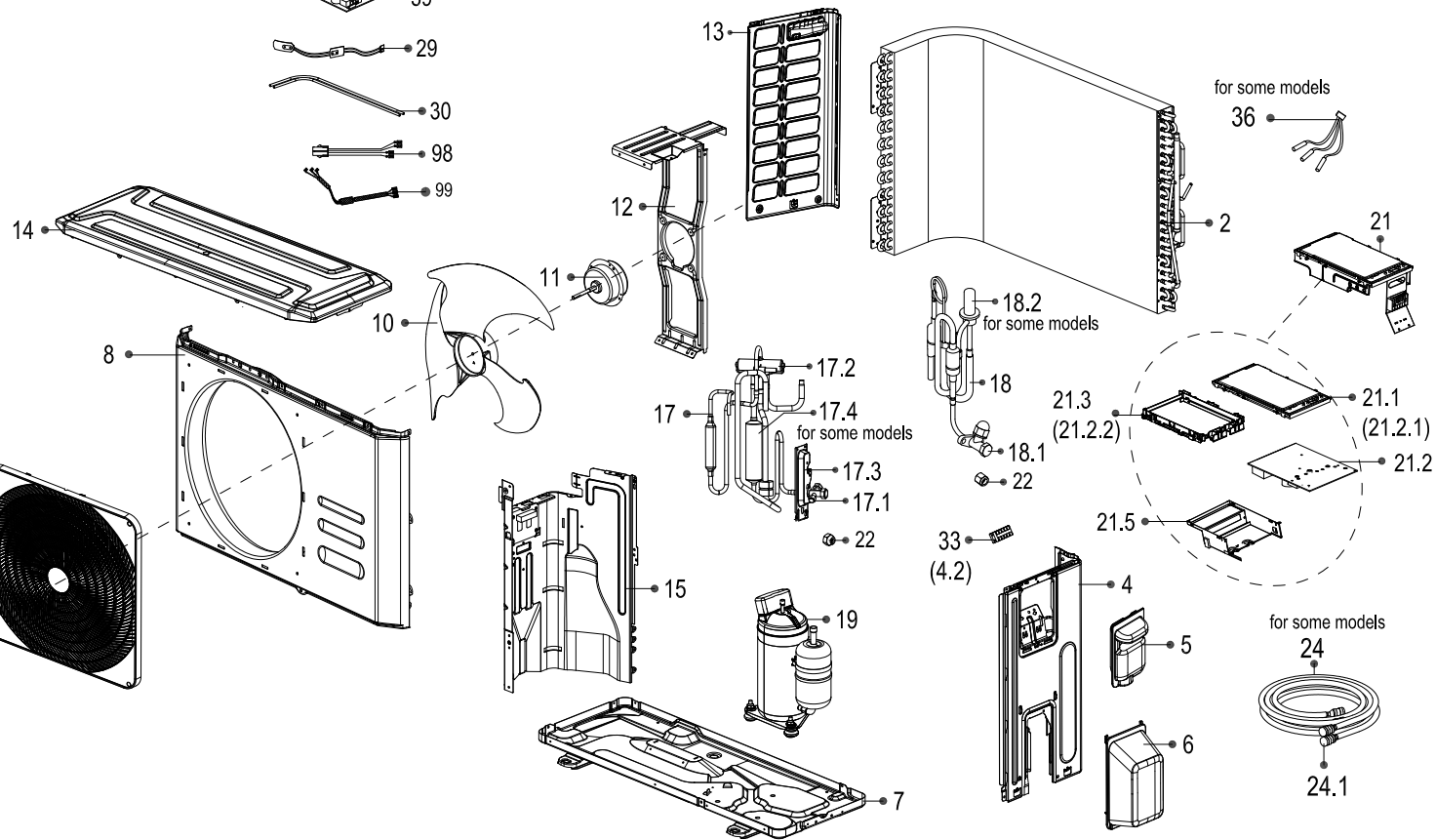
30



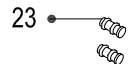
98



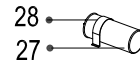
99



for some models



23



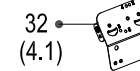
28



27



34



32

(4.1)



1



3



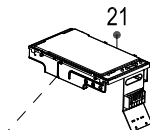
20

for some models

36



21



for some models

21.3

(21.2.2)

18.1

22

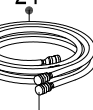
21.5

33

(4.2)

for some models

24



24.1

Exploded View

Product code :
Customer model :

22022016012420
KOB30-12HFN32X

EX_ID	Spare Parts Code	Part Name(EN)	Qty.	Min Shipments	Part Status	Remarks	Long Term Material(Y or N)	High Rate of Replacement(Y or N)	Option Parts
1	11201007002321	Room temperature sensor	1		In use				
2	15822000008261	Condenser assembly	1		In use				
3	11201007002320	Pipe temperature sensor	1		In use				
4	12222000004186	Right side plate	1		In use				
5	12100701000015	Big handle assembly	1		In use				
6	12122000007150	Water collector	1		In use				
7	12222000003983	Chassis Assembly	1		In use				
8	12222000A02014	Front panel assembly	1		In use				
9	12122000020241	Air outlet grille	1		In use				
10	12100105000051	Axial flow fan	1	0	In use		N	Y	
11	11002015006761	Brushless DC Motor	1		In use				
12	12222200002154	Supporter subassembly of fan motor	1		In use				
13	12222000008484	Left side plate assembly of cabinet	1		In use				
14	12222000002451	Top cover assembly	1		In use				
15	12222000003984	Partition board assembly	1		In use				
17	15422000013012	4-way Valve Assembly	1		In use				
17.1	15500204000021	Gas valve	1		In use				
17.2	15500216000026	4-way Valve	1	0	In use		N	Y	
17.3	12222000002571	Valve plate	1		In use				
17.4	15122200002744	Muffler subassembly	1		In use				
18	15422000015392	Liquid valve assembly	1		In use				
18.1	15500208000028	Liquid valve	1		In use				
18.2	15500213000178	Electronic expansion valve	1		In use				
19	11103020003399	DC Inverter Rotary Compressor	1		In use				
20	11201007000005	Discharge temperature sensor	1	0	In use		N	Y	
21	17222000026329	Electronic control box subassembly	1		In use				

21.2	17122000040310	Outdoor main control board subassembly	1		In use				
21.2.1	12222000001455	Cover of electronic control box	1		In use				
21.2.2	12122000006913	Support of electronic control box	1		In use				
21.5	12222000008644	Electric Installing Box Subassembly	1		In use				
22	15500406000010	Copper nut	1	0	In use		N	N	
22	15500406000016	Copper nut	1	0	In use		N	N	
29	17402001A00003	Crankcase electric heater	1		In use				
30	17402002000042	Electric heating tube	1		In use				
32	12222000002259	Terminal board	1		In use				
33	17400401000016	Terminal	1		In use				
99	17401203000802	Compressor wire subassembly	1		In use				