

5.5 for some models

46 for some models

36 for some models

19

20 or 5.4

21

22

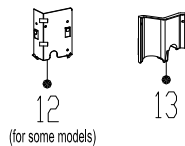
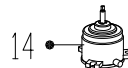
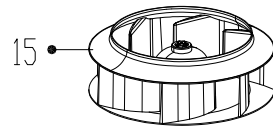
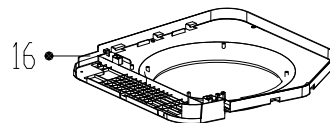
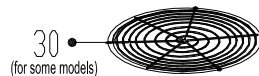
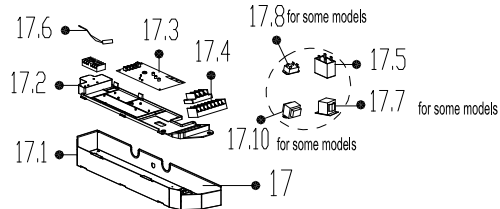
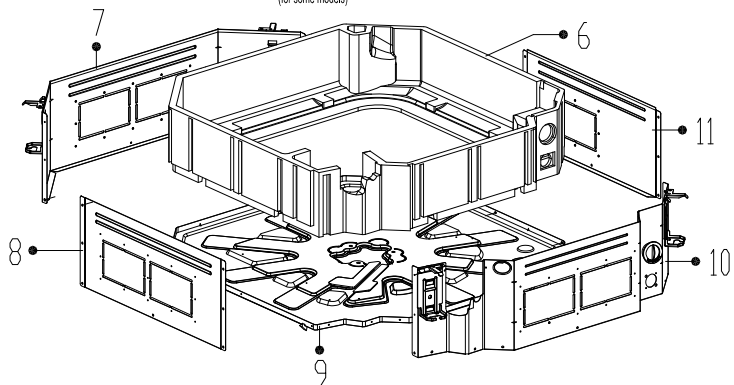
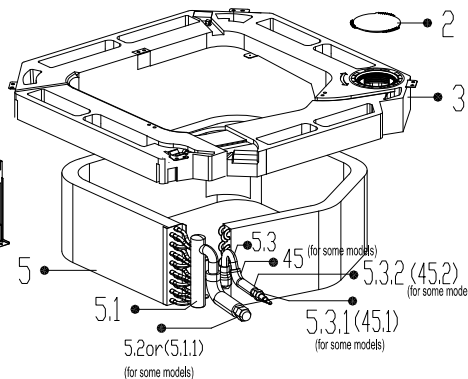
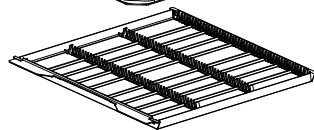
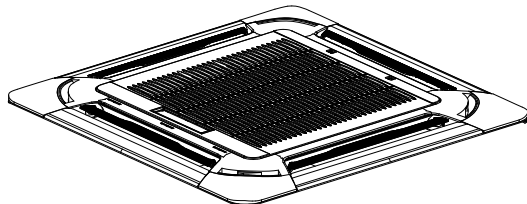
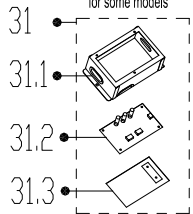
23

24

25

26

for some models



## Exploded View

Product code :  
Customer model :

22022511002137  
KCD-24HRF32

EX_ID	Spare Parts Code	Part Name(EN)	Qty.	Min Shipments	Part Status	Remarks	Long Term Material(Y or N)	High Rate of Replacement(Y or N)	Option Parts
2	12122500000025	Cover subassembly	1		In use				
3	12822500000310	Water collector subassembly	1		In use				
4	12222500000092	Evaporator Fixing hanger	2		In use				
5	15822500001744	Evaporator assembly	1		In use				
5.1	15122500002905	Evaporator outlet pipe subassembly	1		In use				
5.3	15122500002906	Evaporator inlet pipe subassembly	1		In use				
5.4	11201007000136	Pipe temperature sensor	1	0	In use		N	N	
5.5	15500209000002	Detection valve	1		In use				
6	12822500000015	Base foam subassembly	1		In use				
7	12222500000144	coaming	1		In use				
8	12222500000230	coaming	1		In use				
9	12222500000122	Chassis	1		In use				
10	12222500000137	coaming subassembly	1		In use				
11	12222500000241	coaming	1		In use				
12	12222500000105	Evaporator fixing board subassembly	1		In use				
13	12122500000331	Pipe fixing board subassembly	1		In use				
14	11002015000281	Brushless DC Motor	1		In use				
15	12100103000096	centrifuge fan	1		In use				
16	12122500000420	Ventilation ring	1		In use				
17	17222500001960	Electronic control box subassembly	1		In use				
17.1	12222500000119	Electronic control box	1		In use				
17.2	12122500000029	Insulation plate	1		In use				
17.3	17122500002791	Main control board subassembly	1		In use				
17.4	17400401000119	Terminal	1		In use				
17.6	11201007000283	Room temperature sensor	1		In use				
17.7	17400306000070	Reactor	1	0	In use		N	Y	

18	12222500000162	Electronic control box	1		In use			
19	17317000A42320	Remote controller	1		In use			
21	11201005000006	Water level sensor	1	0	In use		N	Y
22	12122500001147	water pump installation support	1		In use			
23	17400802000012	Water pump subassembly	1		In use			
24	12622500000006	Drain pump rubber washer	3		In use			
25	12622500000013	Drain pipe	1		In use			
26	12100509000068	Water pipe	1	0	In use		N	N
36	12117000002114	Bracket of remote Controller	1		In use			
41	12022500000002	Accessory kit	1		In use			
46	15500406000003	Copper nut	1	0	In use		N	N
46	15500406000010	Copper nut	1	0	In use		N	N